

Zero Clearance Gas Fireplace  
HBZDV3624/28, HBZDV4224/28

Direct Vent Gas Fireplace



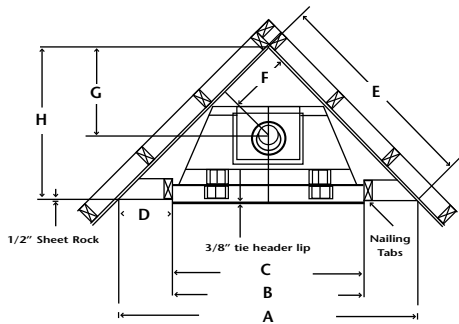
*The ultimate in design, engineering & quality*

# Model HBZDV3624/28, HBZDV4224/28 Specifications

**Corner Framing Dimensions (inches)**

Louvered		
	HBZDV36	HBZDV42
A	54 <sup>13</sup> / <sub>16</sub> "	58 <sup>13</sup> / <sub>16</sub> "
B	36 <sup>3</sup> / <sub>8</sub> "	42 <sup>3</sup> / <sub>8</sub> "
C	36"	42"
D	9 <sup>3</sup> / <sub>16</sub> "	8 <sup>1</sup> / <sub>4</sub> "
E	38 <sup>3</sup> / <sub>4</sub> "	41 <sup>5</sup> / <sub>8</sub> "
F	12 <sup>3</sup> / <sub>8</sub> "	13 <sup>3</sup> / <sub>4</sub> "
G	17 <sup>9</sup> / <sub>16</sub> "	19 <sup>1</sup> / <sub>2</sub> "
H	27 <sup>3</sup> / <sub>8</sub> "	29 <sup>7</sup> / <sub>16</sub> "

Clean View Circulating Kit (CVCK)		
	HBZDV36	HBZDV42
A	59 <sup>7</sup> / <sub>8</sub> "	63 <sup>13</sup> / <sub>16</sub> "
B	38 <sup>7</sup> / <sub>16</sub> "	42 <sup>7</sup> / <sub>16</sub> "
C	38 <sup>1</sup> / <sub>6</sub> "	42 <sup>1</sup> / <sub>16</sub> "
D	10 <sup>11</sup> / <sub>16</sub> "	10 <sup>1</sup> / <sub>16</sub> "
E	42 <sup>5</sup> / <sub>16</sub> "	45 <sup>1</sup> / <sub>8</sub> "
F	12 <sup>3</sup> / <sub>8</sub> "	13 <sup>3</sup> / <sub>4</sub> "
G	17 <sup>9</sup> / <sub>16</sub> "	19 <sup>1</sup> / <sub>2</sub> "
H	29 <sup>15</sup> / <sub>16</sub> "	31 <sup>7</sup> / <sub>8</sub> "



Top Flue Model	Height		Front Width		Depth	
	Actual	Framing	Actual	Framing	Actual	Framing
<b>Louvered</b>						
HBZDV36	34 <sup>13</sup> / <sub>16</sub> "	35"	36"	36 <sup>3</sup> / <sub>8</sub> "	16 <sup>7</sup> / <sub>16</sub> "	17"
HBZDV42	37"	37 <sup>1</sup> / <sub>8</sub> "	41 <sup>7</sup> / <sub>8</sub> "	42 <sup>3</sup> / <sub>8</sub> "	16 <sup>7</sup> / <sub>16</sub> "	17"
<b>Clean View Circulating Kit (CVCK)</b>						
HBZDV36	34 <sup>11</sup> / <sub>16</sub> "	41"	38 <sup>1</sup> / <sub>16</sub> "	38 <sup>7</sup> / <sub>16</sub> "	18 <sup>7</sup> / <sub>8</sub> "	19 <sup>1</sup> / <sub>2</sub> "
HBZDV42	36 <sup>13</sup> / <sub>16</sub> "	43"	42 <sup>1</sup> / <sub>16</sub> "	42 <sup>7</sup> / <sub>16</sub> "	18 <sup>15</sup> / <sub>16</sub> "	19 <sup>1</sup> / <sub>2</sub> "

Top Flue Model	Width	Height
<b>Viewing Area</b>		
HBZDV36	29 <sup>3</sup> / <sub>4</sub> "	18 <sup>5</sup> / <sub>8</sub> "
HBZDV42	33 <sup>3</sup> / <sub>8</sub> "	20 <sup>3</sup> / <sub>8</sub> "

Model	HBZDV3624N	HBZDV3628N	HBZDV3624LP	HBZDV3628LP
	HBZDV4224N	HBZDV4228N	HBZDV4224LP	HBZDV4228LP
<b>Flue</b>	top	top	top	top
<b>Fuel</b>	natural	natural	propane	propane
<b>Input Max.</b>	24,000 BTU	28,000 BTU	22,000 BTU	26,000 BTU
<b>Input Min.</b>	14,000 BTU	20,000 BTU	15,000 BTU	19,000 BTU
<b>Output Max.</b>	-	21,000 BTU	15,000 BTU	19,500 BTU
<b>Efficiency</b>	-	76% fan on	-	76% fan on
<b>FE (P.4.1-02)</b>	51.0%/44.7%	58.7%/57.7%	46.0%/47.9%	62.4%/58.6

Kingsman Industries maintains a program of continuous testing refinement and improvements of all its products. Some aspect of units shown here may be changed at any time without notice or obligation.

Certification: The Model HBZDV3624/4224 are certified to ANSI Z21.50a-2000/CSA 2.22a-2000, CGA 2.17-M91, CSA P.4.1-02 vented gas fireplace. The models HBZDV3628/4228 are certified to ANSI Z21.88b-2003/CSA-2.33b-2003, CAN/CGA 2.17-M91, CSA P.4.1-02 vented gas fireplace heater.



**Standard Features**

- Millivolt valve system allows operation during a power failure with Hi/low heat and flame adjustment
- Dual burner with Realistic Flame Pattern
- A flame sensor that constantly monitors the pilot flame and provides 100% gas shut off if pilot is not sensed

**Optional Features**

**Designer Clean View Circulating Kit – (No Louvers Required),** Optional Pull Screens

**Decorative Black Panels or Grills –** Grills available in Black, or Classic Series Black with Polish Brass, Antique or Chrome Accents

**Overlay Doors –** Deluxe, Top Half, Double Arch and Double Door

**Designer Doors –** Arch or Straight Black Doors with Antique, Polished or Chrome Trims

**Surrounds Wide (Louvered Units) -** Polish Brass, Antique or Chrome  
**Coverage –** HBZDV3624/28 – 34<sup>1</sup>/<sub>2</sub>" h x 41<sup>1</sup>/<sub>8</sub>" w  
 HBZDV4224/28 – 36<sup>5</sup>/<sub>8</sub>" h x 45<sup>1</sup>/<sub>8</sub>" w

**Surrounds Slim Line (Louvered Units) -** Polish Brass, Antique Brass, Chrome or Gun Metal Black,  
**Coverage –** HBZDV3624/28 – 34<sup>1</sup>/<sub>4</sub>" h x 37<sup>1</sup>/<sub>2</sub>" w  
 HBZDV4224/28 – 36<sup>3</sup>/<sub>8</sub>" h x 43<sup>3</sup>/<sub>8</sub>" w



**Fan Kit –** Heat activated with variable speed control

**Brick Refractory Liner –** Traditional or Herringbone

**Thermostat –** Wall Mount Millivolt Thermostat or Programmable Thermostat

**Remote Control –** On/Off, Thermostat On/Off, Hi/Lo On/Off

**Child Safety Screen**

**Log Sets –** Choose from our LOGC42 Classic Oak Four Piece or LOGC43 Traditional Oak Four Piece or LOGC44 Burnt Oak Eight Piece Log Sets



**LOGC44 Log Set**

Unit illustrated is a HBZDV3628N Zero Clearance Direct Vent Fireplace – Natural Gas, with LOGC44 Log Set, HB36GBL Grill Kit – Black, and Optional HB36RLH Herring Bone Refractory Liner, HB36ADDD Double Arch Door



This unit illustrated is a HBZDV4228N Zero Clearance Direct Vent Natural Gas Fireplace, with LOGC43 Log Set and optional HB42RLT Traditional Refractory Liner, and HB42DDAIBL Designer Arch Door.