

Direct Vent Multi-Sided See Through Fireplace
Models MDV31/39



The ultimate in design, engineering & quality

Direct Vent Multi-Sided Peninsula Fireplace
Models MDV31/39



The ultimate in design, engineering & quality

Multi-Sided Gas Fireplace

Multi-Sided Gas Fireplace

Direct Vent Multi-Sided Corner Fireplace Models MDV31/39



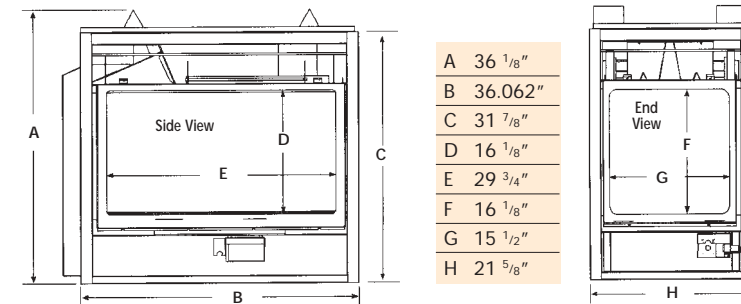
The ultimate in design, engineering & quality

The unit illustrated is the MDVL31N Multi-Sided Direct Vent Fireplace in natural gas, LOGC31 Log Set - Seven Piece Cast Split Oak, M30CK Corner Kit, MGCKBL Grill Kit - Black and optional Refractory Liners MDV38RLE - End and MDV38RLS - Side.

Multi-Sided Gas Fireplace

The Ultimate in Multi-Sided Gas Fireplaces for New Home Construction or Renovation

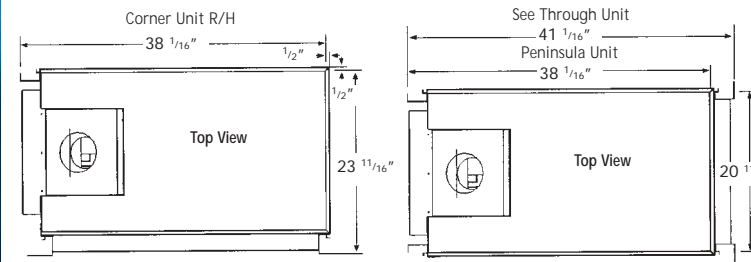
Your best choice for installation anywhere throughout your home.



Enjoy the elegance and warmth of glowing embers and dancing flames around our seven piece cast split oak log set. It is sure to be the focal point of your home. Choose from a variety of decorative options to create your own distinctive appearance and be assured of complete safety, comfort and long lasting value from a manufacturer of wood and gas fireplaces with more than 25 years of experience.

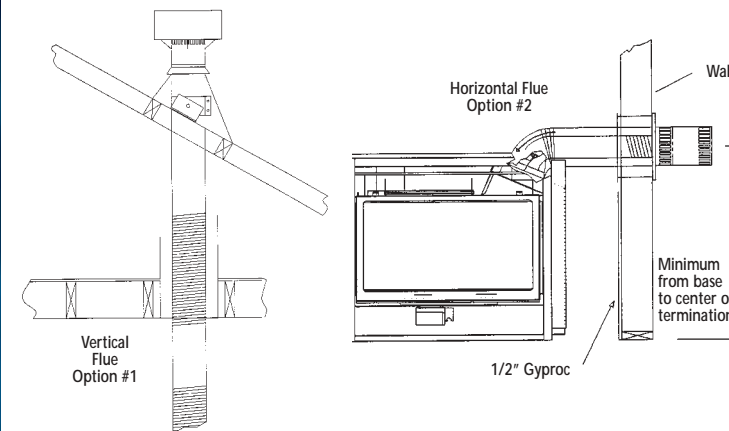
Choose from a variety of views available: See Through, Left or Right Corner, or Peninsula.

Here is a fireplace that has a fully sealed combustion chamber with no pollution spillage to depreciate the indoor air quality of your home.



Model	Height framing	Back Width Framing	Depth Framing
Corner	37"	38 1/8"	23 3/4"
Peninsula	37"	38 1/8"	20 1/4"
See Through	37"	41 1/8"	20 5/8"

Minimum 42" height for combustible enclosure, with insulation sleeve.



Kingsman Industries maintains a program of continuous testing, refinement and improvements of all its products. Some aspect of units shown here may be changed at any time without notice or obligation. Certification: The models are certified for USA and Canada. Certified to: ANSI Z21.50-2002/CSA 2.22-2002 as a Vented Gas Fireplace.



*Components may have to be ordered separately to create a complete unit. Discuss with your local Kingsman dealer for clarification.

Model	MDVL31N	MDVL39N	MDVL31LP
	MDVR31N	MDVR39N	MDVR31LP
Fuel	natural	natural	propane
Input Max.	30,000 BTU	39,000 BTU	30,000 BTU
Input Min.	22,500 BTU	26,000 BTU	25,000 BTU
Glass Type	Tempered	Ceramic	Tempered
Certification	Decorative	Decorative	Decorative
Bedroom Approved	*Yes	*Yes	*Yes

*Must be installed with listed thermostat, in Canada

Features

- Hi/low Millivolt valve with variable adjustment of flame and BTU.
- A flame sensor that constantly monitors the pilot flame and provides 100% gas shut off if pilot is not sensed.
- A triple burner with seven piece cast split oak log set with glowing ember bed and decorative ash bed.

Available Accessories:

- Grills** - Black, Antique, Polish Brass, Chrome, Classic Series
- Arch Doors** - Black, Antique, Polish Brass, Chrome (See Through only)
- Designer Doors** - Arch or Straight Black Doors with Antique, Polish Brass or Chrome Trims (available for large glass panel only)
- Bay Windows** - (See Through only) - Antique, Polish Brass, Chrome (MDV39 only)
- Surrounds** - (See Through only) - Antique, Polish Brass, Chrome
- Fan Kit** - Thermostatically controlled for automatic on/off operation and variable speed control
- Brick Refractory Liners** - End Panel, Side Panel
- Remote Control** - on/off or thermostat

*Wall Mount Thermostat - Turns the fireplace on/off automatically by sensing room temperature. If installed, will turn on the fireplace in the event a power failure lowers the room temperature

Multi-Sided Direct Vent Fireplace



Kingsman Fireplaces
2340 Logan Avenue
Winnipeg, Manitoba, Canada R2R 2V3
Phone: (204) 632-1962 Fax: (204) 632-1960
www.kingsmanind.com

Printed in Canada B048